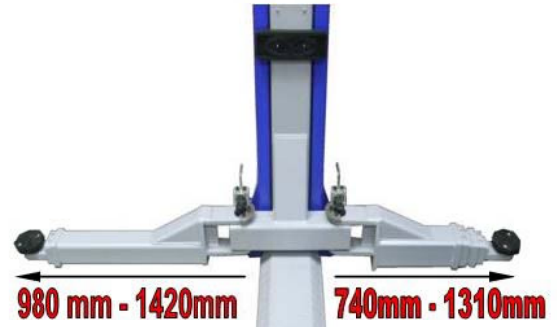


# 4T CAPACITY WITH TWIN HYDRAULIC RAMS



## Now With 2 And 3 Stage Telescopic Arms



## Superior Lift Pad Design



**Includes 3 sets of lift pad extensions for vans and 4x4**



### Sliding Pads



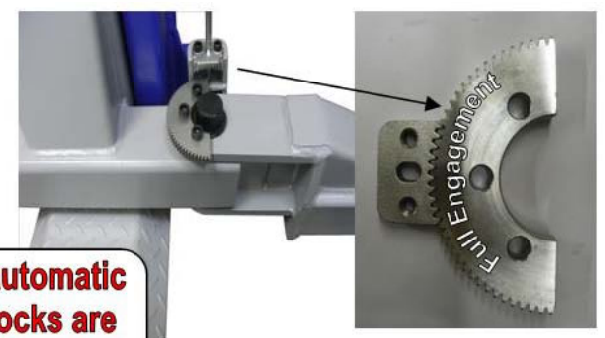
## 24v Controls



**Our Lifts Are Fitted With A Low Voltage Control System. As Is Required**

**24v At Button**

## C.E. Approved locks



**Our automatic arm locks are fully approved tested and SAFE**

**Automatically Disengage When Lift Is Lowered**